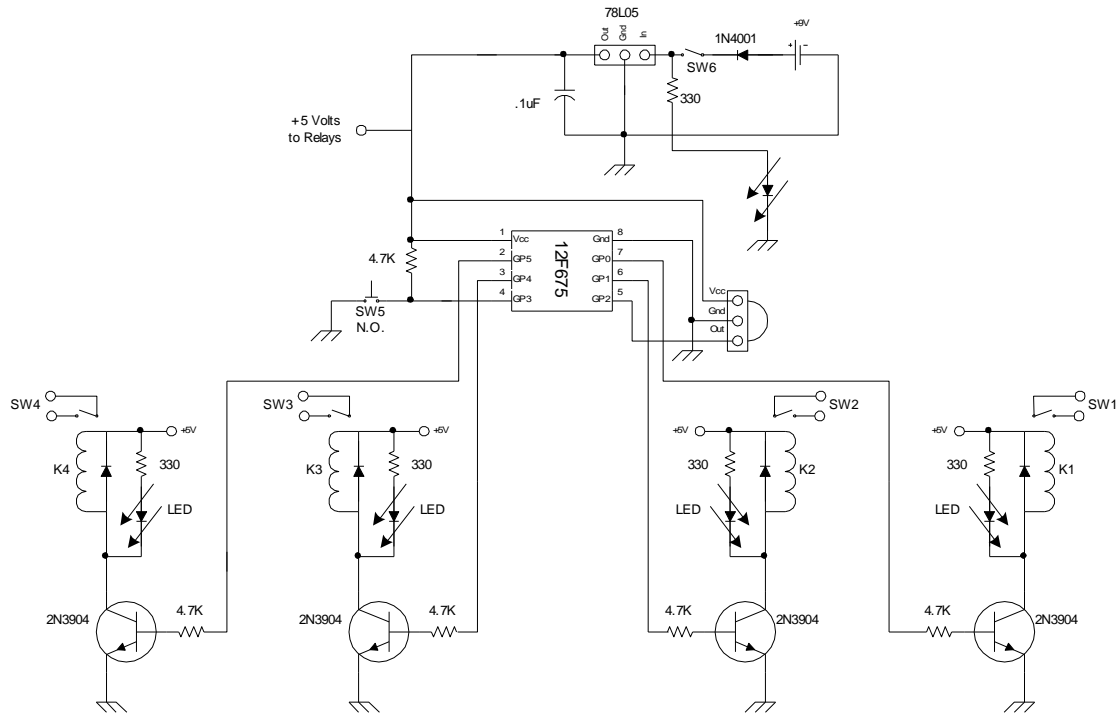


Project T.V. Remote Decoder Circuit



Note:

- Internal pull-up resistors are used on 12F265 pins GP0, GP1, GP2, GP4, GP5
- External pull-up resistor required on GP3
- Protection diodes are internal to K1 - K4
- Switches SW1 - SW4 are internal to K1 - K4